

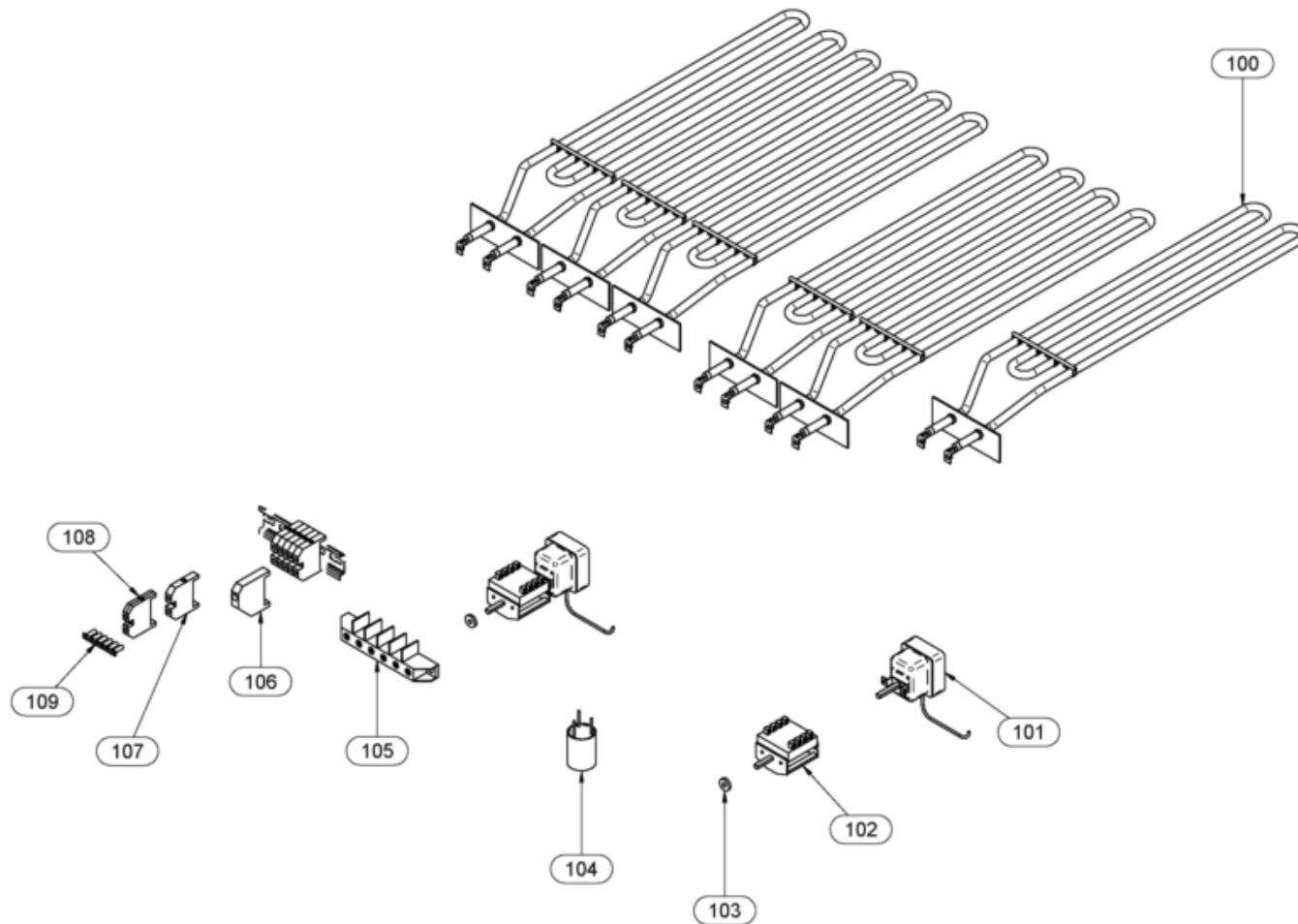


EXPLODED VIEW TOP EXTERIOR

Mod./Type: 70/... GRACQE... - 90/... GRACQE...
EXTREME

cod./num. 2531835.00

data/date: 02/09/2014



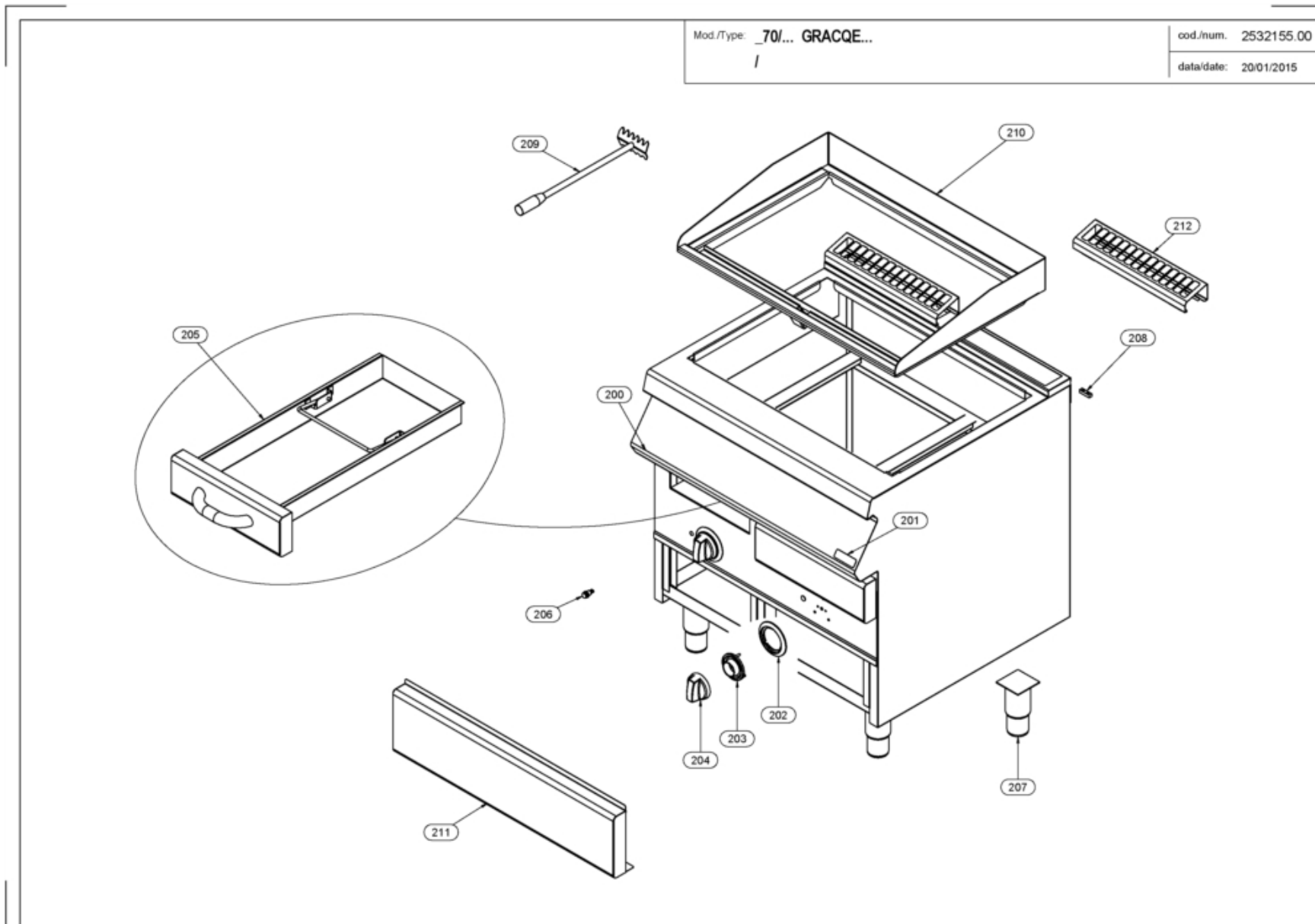


EXPLODED VIEW TOP EXTERIOR

Pos.	Code	Description	From	To
0100	665.102.00	HEATING ELEMENT GRACQE 2000W 230V		
0101	661.123.00	THERMOSTAT		
0102	661.000.00	ON-OFF SWITCH EGO 49.41015.30		
0103	953.020.00	WASHER		
0104	464.067.00	NETWORK FILTER		
0105	M566050500	TERMINAL BOARD FV122-B V/F 6P.		



EXPLODED VIEW CABINET/OVEN EXTERIOR





EXPLODED VIEW CABINET/OVEN EXTERIOR

Pos.	Code	Description	From	To
0200	9111548.00	ASS.CRUSCOTTO 40 NEUTRO VS		
0201	682.008.00	MODULAR LOGO 70X22	1/1/2014	5/11/2015
0201	682.008.13	MARCHIO "modular" 70x22 AL. RAL2002	5/12/2015	
0202	910.230.00	GHIERA SERIGR.COMETA MIN-MAX CP EM		
0203	256.218.00	LABYRINTH BLACK KNOB		
0204	951.071.00	EL.KNOB Ø6 D74 ANOD.PK		
0205	6101075.00	ASS.CASSETTO FTZ 700 GRACQ PK		
0206	963.013.00	ORANGE LAMP 230V D.12 EM		
0207	912.090.14	ASS.PIEDINO 2" H.135 FLANG.78x78x2		
0208	941.130.00	PIASTRINA GIUNZIONE POST.APP.EM		
0209	610.272.00	ASS. SCRAPER FOR GRACQ EM		
0210	6111276.00	ASS.PARASPRUZZI 70/40 GRACQ EM		
0211	6211544.00	FACCIATA INFERIORE M40 GRACQ EM		
0212	9211777.14	GRIGLIA CAMINO PK		